

PRODUCT BULLETIN

MARCH 2020

Disc and rotor change for Holden Colorado, RG 2018 – On

Bendix have uncovered a change in rotors and pads affecting Holden Colorado RG 2018* – On.

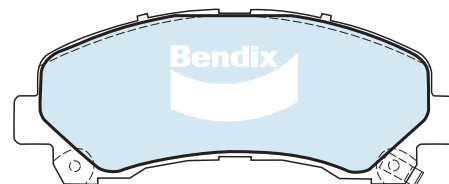
Following testing and customer consultation, our team of engineers has developed a pad and rotor to match the 2018 – on Holden Colorado. The Colorado is one of the most popular work horses on Australian job sites.

Identifying the change ensures that owners have a choice when it comes to replacing their rotors and pads when required.

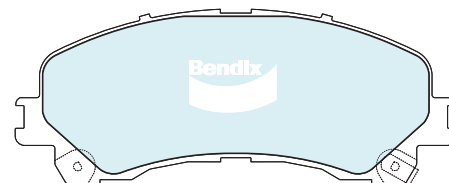
The change for 2018 – on affected Colorados is available immediately in 4WD/SUV and HD compounds.

The DB2481 (new) brake pad has cutouts on the ears which make fitting DB1841 (old) impossible.

DB1841



DB2481

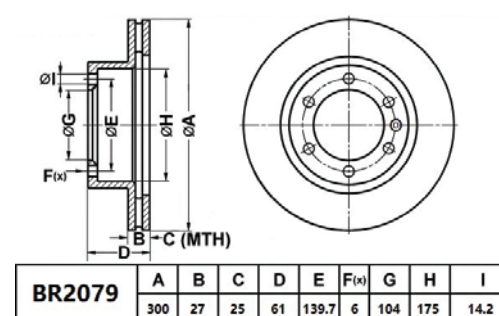
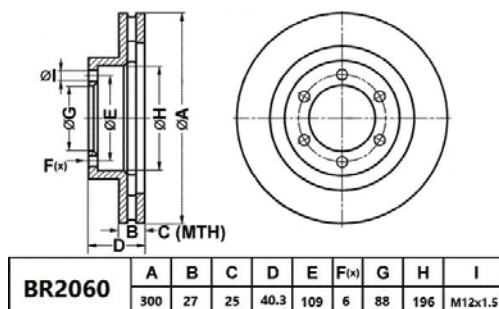


MANUFACTURER	MODEL	YEAR	VARIANT	FITTING POSITION	PAD/SHOE	ROTOR
Holden	Colorado	2018 - on	2.8, 3.0 AWD Wagon	Front	DB2481	BR2079
				Rear	BS5064	Drum

Rotors have also changed for Holden Colorado RG 2018 - on as shown below.

Previously the Holden Colorado used an inbound flat-type rotor (BR2060) however, now it utilises a hat-type rotor (BR2079).

This allows for faster and easier fitting without the hassle of disassembling the hub, which means less time on the hoist.



Also available from Bendix is the Ancillary Solutions range which is designed to complement the Commercial Vehicle products, offering you all you need to complete the perfect brake change.



CERAMASIL BRAKE PARTS LUBRICANT

Specially formulated from pure synthetic base oils and treated with the latest rust, oxidation and anti-wear additives to provide lasting protection against friction, wear and corrosion.

PRODUCT	500mL
Part No.	BBL20
Weight	255g
Barcode	9316068403174



BRAKE CLEANER & PARTS DEGREASER

A full strength cleaner and degreaser that safely and effectively removes brake fluid, grease, oil and other contaminants from brake and parts components. It can dissolve grease and grime without brake disassembly.

PRODUCT	Aerosol	Trade Drum	Pump Spray
Part No.	BBC4	BBC20	BBC1L-PUMP
Weight	400g	20L	1L
Barcode	9316068186053	9316068193686	9316068403655



FOR MORE INFORMATION

Freecall the Bendix Brake Advice Centre on 1800 819 666 (8am-5pm Monday to Friday EST) or +61 3 5327 0211 from overseas. brakeadvicecentre@bendix.com.au bendix.com.au or bendix.co.nz



*Bendix brake components are appropriate for the purpose intended and if installed by qualified staff, to the vehicle manufacturer's specifications, can be used in logbook servicing.

Put your foot down with confidence™

ORDER FORM

Put your foot down
with confidence™



Account

Account Number (If applicable)	Date <input type="text" value="D"/> / <input type="text" value="M"/> / <input type="text" value="Y"/>
Account Name (If applicable)	Contact
Delivery Address	Phone
	Fax
Email	

Order

Quantity	Part Number	Description	Price (inc. GST)	Total (inc. GST)

Contact Bendix to place your order:
P: 1800 819 666
F: 1800 805 336
E: orders@bendix.com.au

Amount Due
(inc. GST)